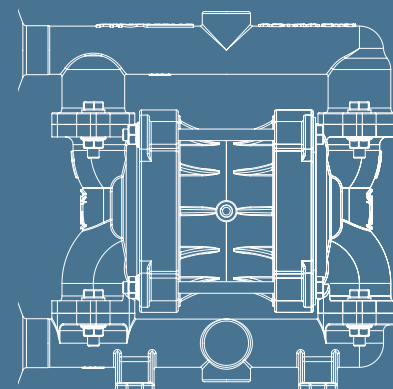
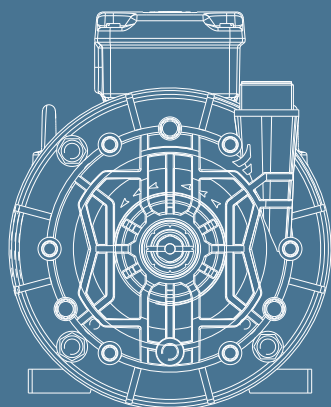
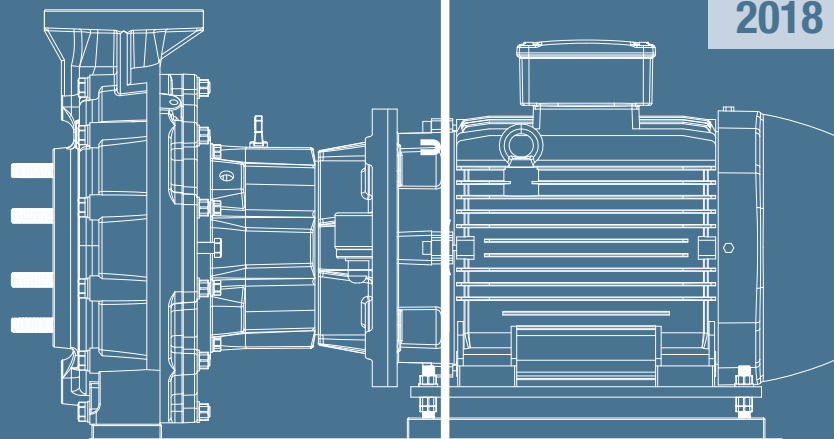


PRODUCTION PROGRAM



EU product
Made in Italy

2018



**PUMPS
FOR SPECIAL
MEDIA**

**SEALLESS MAG-DRIVE & AODD PUMPS,
SEALED CENTRIFUGAL
& VERTICAL SUMP PUMPS**

SELF-PRIMING PUMPS



SINCE 1975

EN





AODD
Pumps
page 08



Centrifugal
Pumps
page 14



Handling Pumps page 16-17
ISO 2858 Centrifugal Pumps page 18-19
ANSI B 73.1 Centrifugal Pumps page 20



FRP
Vertical
Sump
Pumps
page 24



Handling
Sump
Pumps
page 25
Process
Sump
Pumps
page 26
FRP
Sump
Pumps
page 21



Self-Priming
Pumps
page 22

#INDEX

QUALITY EXPERIENCE INNOVATION SINCE 1975

ARGAL® boasts forty years of activity in the invention and production of pumps made of thermoplastic material, compounds and corrosion-resistant metal alloys. During the past decade, significant efforts were directed to research and development on the entire production and such an effort resulted in pump ranges entirely new or renovated both regarding mechanical and hydraulic systems.

The mission of **ARGAL®** is continuous and constant technological improvement, along the path of innovation instead of emulation. Our aim is to offer the best technical performance and engineering obtaining the leadership in performance while providing appropriate responses to the needs of market dynamics by realizing a “State-of-the-art quality.





Today the company has an extensive range of pumps in various constructions for industrial applications requiring temperatures ranging from -40°C to $+120^{\circ}\text{C}$, with load capacities up to $1700\text{ m}^3/\text{h}$ -head over the 100 m.

All are **certified ISO 9001:2008 according to Vision ISO 9001:2008 rule**. We strongly want to offer a wide production program with high-quality pumps ranges and competitive prices.



M

MATERIALS



Polypropylene



Ethylene-Chloro
Trifluoro Ethylene



Ultra High Molecular
Weight Polyethylene



Polyvinyl Chloride



Polyvinylidene
Fluoride



Poly Tetra Fluoro
Ethylene



Fiberglass

+GLASS

Glass
reinforced

+CARBON

Carbon
filled



Aluminum



Alloy Duplex



Stainless Steel
(low Carbon)



Stainless Steel



Bronze

C

CERTIFICATIONS/WARRANTY



Atex



Food and Drug Administration



European Conformity



Eurasian Conformity



12 months



24 months



60 months

#CONTENTS



TECHNOLOGY



Sealless



Sealed



Self-priming



Submersible



SERIES

1 = TECHNOLOGY

T Sealless

Z Sealed

D Doppia

K Vertical

2 = CONSTRUCTION

M Close-coupled

G Long-coupled

D a membrana

M Close-coupled

3 = RANGE NAME

“P” rima

“S” aturn

“Q” uantum

“E” quipro

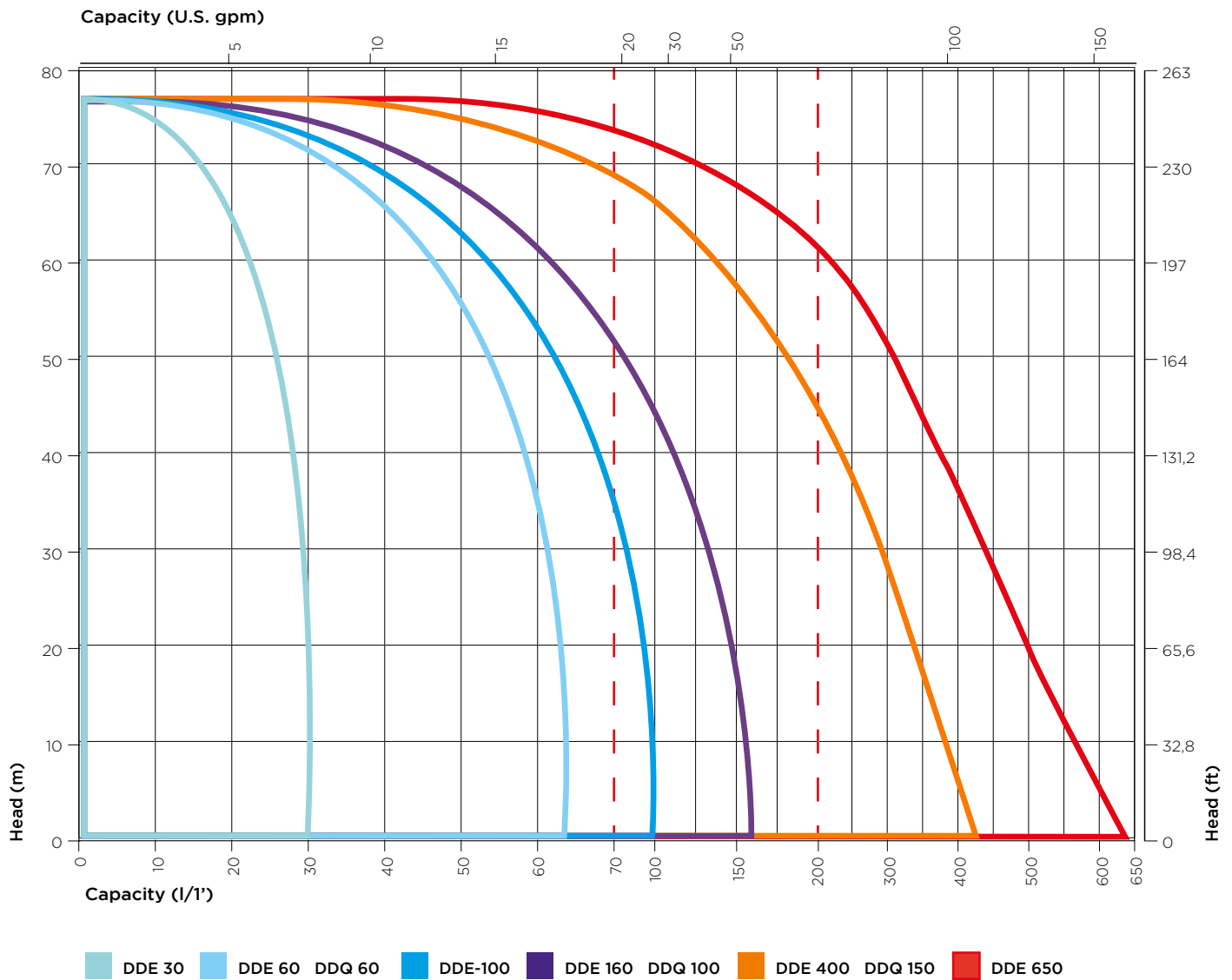
#AODD PUMPS



AODD (Air-Operated Double Daphragm) pumps made for moving corrosive, abrasive, viscous, neutral liquids or with solids in suspension. They can also operate in dangerous areas (ATEX). Our AODD pumps can vary the flow and are non-stalling, dry-running, self-priming and easy to maintain.









ATEX: Ideal for operating in explosive atmospheres according to the ATEX normative **Zone 2** (Serie II 3/3 GD IIB T 135°C) and ATEX **Zone 1** (Serie II 2/2 IIB T 135°C).



ASTRAEVO (DDE)

- Optimised air consumption;
- Working sensitivity improved (start from 1 bar);
- Ergonomic fixings;
- Bigger inlet pipe for guaranteeing the best performance ever when pumping viscous liquids.
- Advanced caps for a longer lifecycle of the

- membranes and an easy maintenance;
- Distributor protected from atmospheric agents thanks to a free-acid armour;
- Free ice air-exhaustive system;
- Low noise integrated muffler.

ASTRAEVO (*)		Flow rate (l/min")	Ports (inch)	Materials	Solids (mm)
DDE 30		30	1/2"	• PP+G • PVDF+C • ALU • AISI 316L	3,5
DDE 60		65	1/2"	• PP+G • PVDF+C • ALU • AISI 316L	3,5
DDE 100		100	1"	• PP+G • PVDF+C • ALU • AISI 316L	3,5
DDE 160		160	1"	• PP+G • PVDF+C • ALU • AISI 316L	7,5
DDE 400		400	1 1/2"	• PP+G • PVDF+C • ALU • AISI 316L	8,5
DDE 650		650	2"	• PP+G • PVDF+C • ALU • AISI 316L	8,5

Note: available PP+C for ATEX plastic versions

(*) Max pressure 8 bar

MISTRAL (DDM)



BENEFITS & FUNCTIONALITIES

- Optimised air consumption;
- Designed for continuous applications ;
- Sturdy construction, 5-year guarantee;
- The safest solution in dangerous atmospheres or with risk of explosion (ATEX Zone 1) .
- High capacity with high efficiency.



Port size: 2" - 3" - 4"
Capacity: from 70 to 1280 l/m'

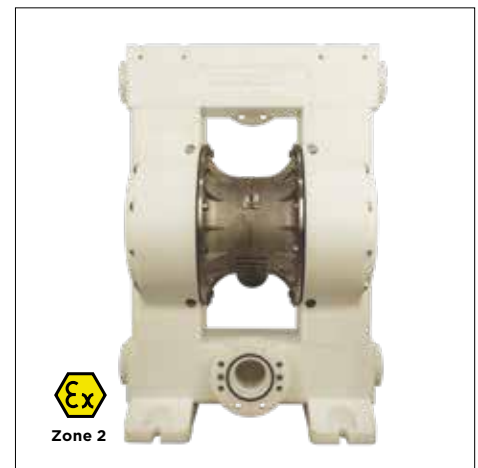
Wetted section AISI 316 L BR

Temperatures +100° -20° (PTFE diaphragms)
+80° -40° (NBR, EPDM, diaphragms)

Port size: 3"

Wetted section UPPE

Temperatures +95° -20° (PTFE diaphragms)
+80° -40° (NBR, EPDM, diaphragms)

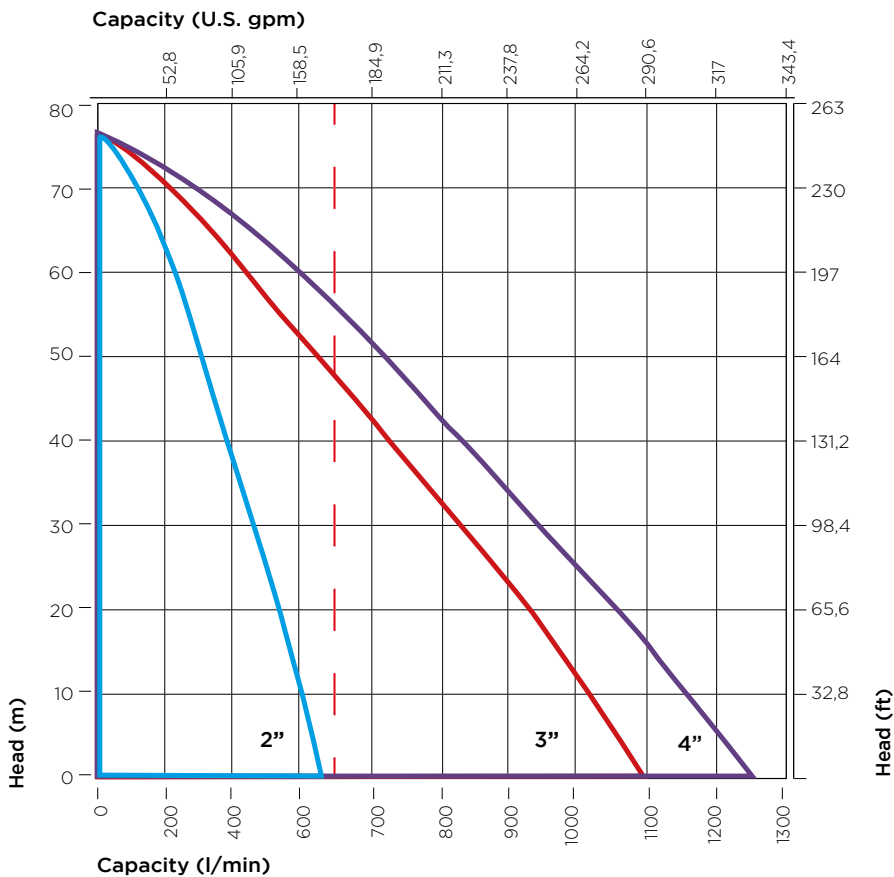


Port size: 3" - 4"

Wetted section FRP

Temperatures +100° -20° (PTFE diaphragms)
+80° -40° (NBR, EPDM, diaphragms)

TECHNICAL DATA	200 (2")	300 (3")	400 (4")
Maximum Capacity Litres/Minute	680	1100	1280
Materials of Pump Housings & Central Block	AISI 316L • BRONZO	AISI 316L • BRONZO • UPPE • FRP	AISI 316L • BRONZO • FRP
Fluid Port (ISO-ANSI Flange) Intake & Discharge Connections	2" BSP	3" DN80	4" DN100
Air Inlet	1/2" F NPT	3/4" F NPT	3/4" F NPT
Air Exhaust (included silencer)	3/4" F NPT	1" F NPT	1" F NPT
Maximum Working Pressure	8 bar	8 bar	8 bar
Maximum Cycles per Minutes	140	96	96
Max. Discharge Volume/Cycles	3,7 litres	8,5 litres	8,5 litres
Maximum Solids Particle Size	9 mm	11 mm	13 mm
Suction Lift (dry)	6 m	6 m	4,5 m



BENEFITS & FUNCTIONALITIES

- Solid-block construction in pure thermoplastic polymers, high mechanical strength and chemical resistance;
- Any kind of aggressive liquids can be pumped;
- Complete maintenance of the pump on-site (no disassembling needed);
- Optimised air consumption;
- Smart PAD for regulate the flow;
- Pump casing unloading system;
- Non-return valve to protect the distributor from air;
- Double unloading with silencer integrated.



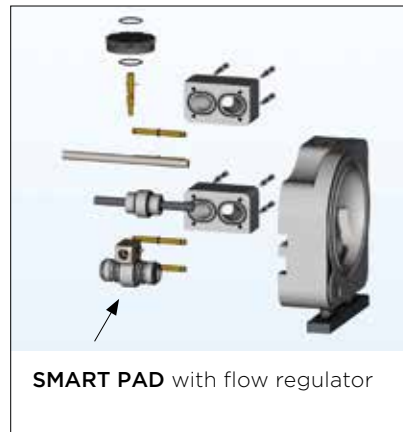
Port size: $\frac{1}{2}'' - 1'' - 1\frac{1}{2}''$

Wetted section



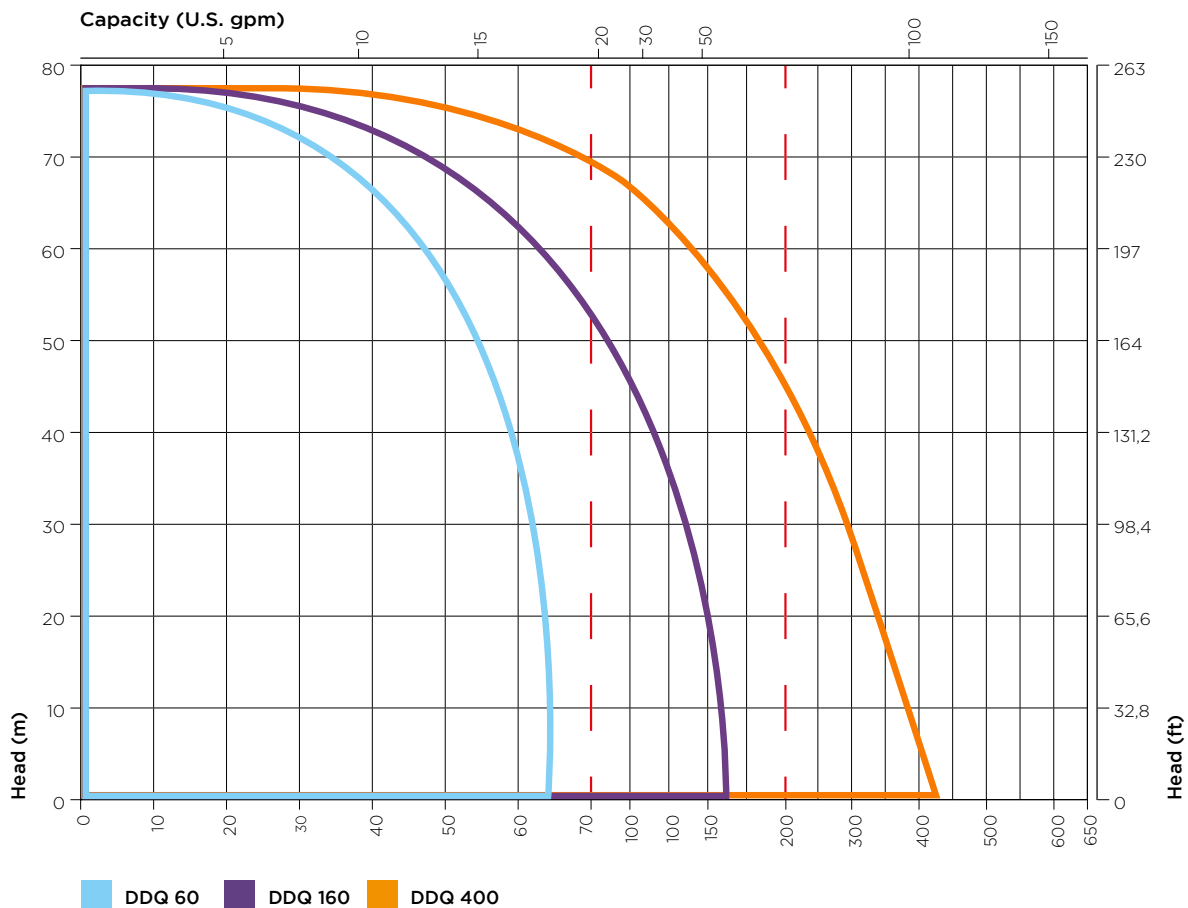
Temperatures	UPPE	+70°	-40°
	PTFE	+120°	-20°

QUANTUM'S PLUS



INNOVATIVE COMPONENTS

TECHNICAL DATA	DDQ60 (1/2")	DDQ160 (1")	DDQ400 (1" 1/2)
Maximum Capacity Litres/Minute	60	160	400
Materials of Pump Housings & Central Block	UPPE • PTFE	UPPE • PTFE	UPPE • PTFE
Fluid connection	G 1/2" BSP	G 1" BSP	G 1 1/2" BSP
Air connection	G 1/4" BSP	G 3/8" BSP	G 1/2" BSP
Max delivery head	80 mca	80 mca	80 mca
Max air pressure	8 bar	8 bar	8 bar
Max suction lift dry	4 mca	4 mca	4 mca
Max suction lift wet	9 mca	9 mca	9 mca
Max size solids	7,5 mm	11 mm	19 mm
Noise level	72 dB(A)	78 dB(A)	83 dB(A)



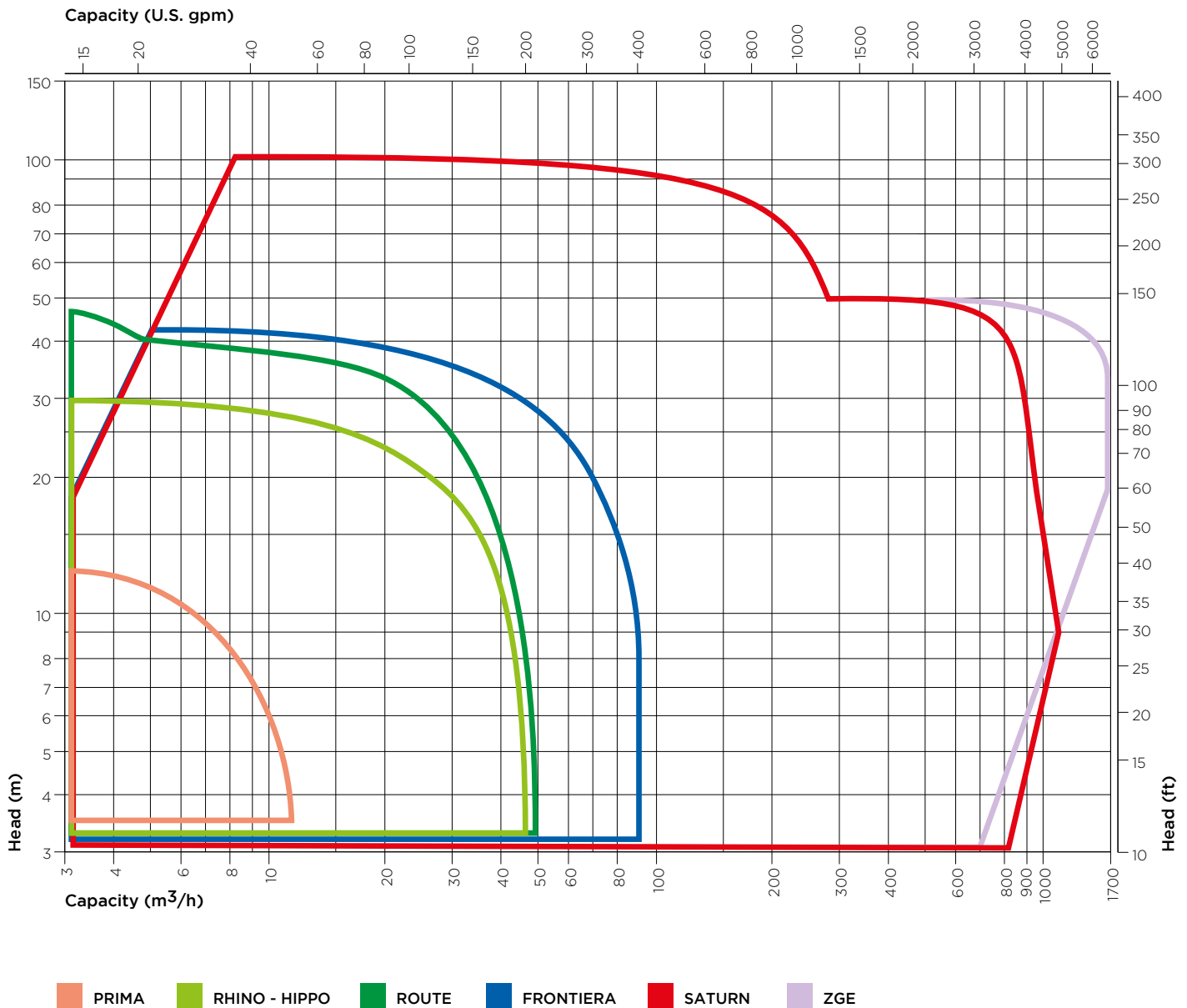
#HORIZONTAL CENTRIFUGAL PUMPS

50HZ

The “chemical pumps” with horizontal axis by ARGAL® boast the following important features:

1 • Pump liquids with a specific gravity ranging between 1 and 2 kg/cm³ without having to reduce performance but by installing adequate horsepower engines;

2 • the use of E-CTFE such as fluoropolymer that offers a chemical resistance unparalleled when compared to any injection moulded polymer;



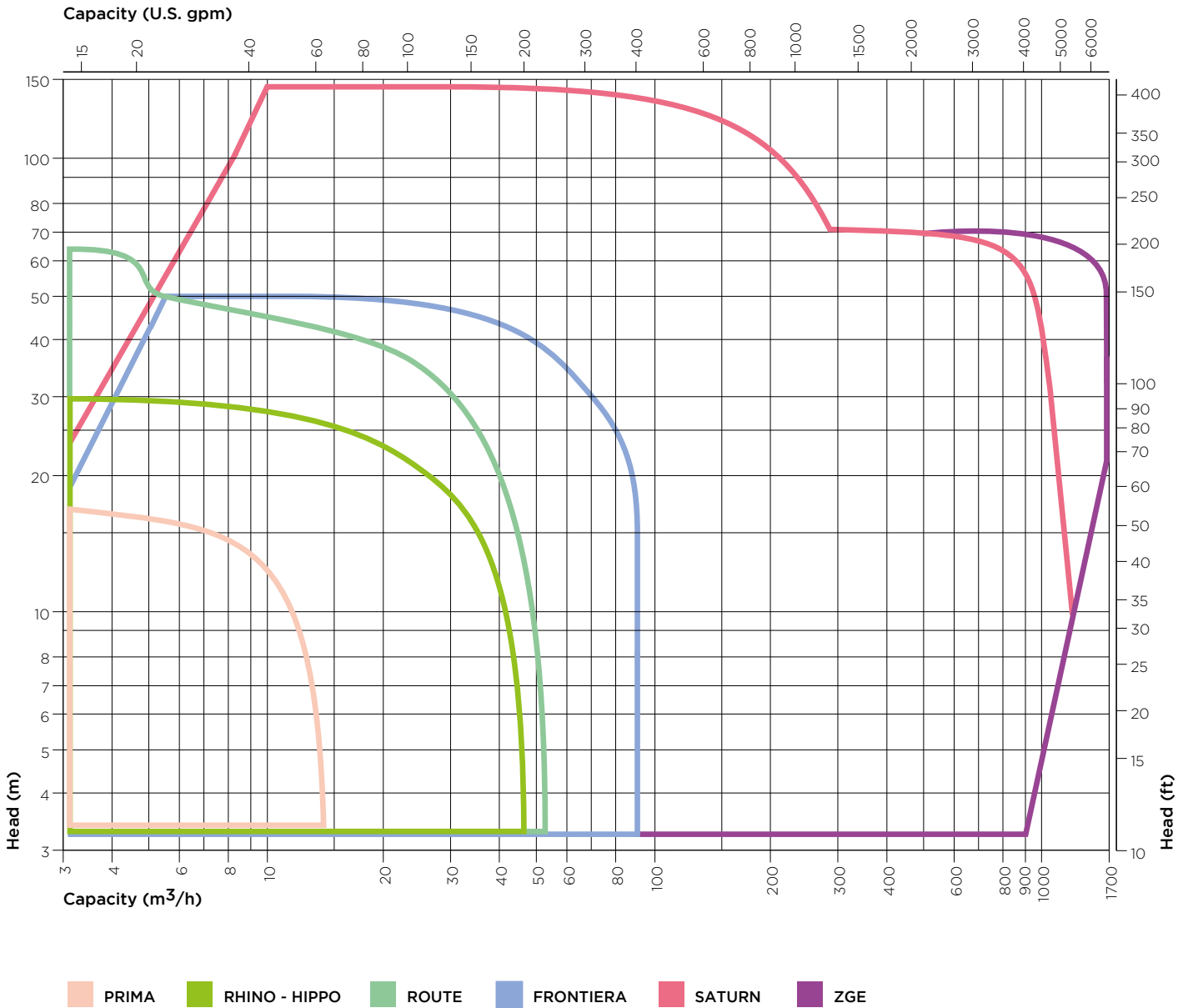
60HZ

#HORIZONTAL CENTRIFUGAL PUMPS

- 3 • up to 90 mc/h flow rate delivered by either magnetic drive pumps or mechanical sealed pumps;
- 4 • The close coupled pumps process executions have stayed an additional bearing to support

those of the electric motor;

- 5 • All equipment, including monobloc ones, involves the use of standardized electric motors.



#HANDLING PUMPS

BASIS TMB



BENEFITS & FUNCTIONALITIES

- Compact design;
- Low noise;
- No sealing components ;
- Threaded and hose connections.



Capacity:	up to 70l/min.		
Construction:	Close-coupled		
Motor powers:	W 15 ÷ 100		
Wetted section	PP + Glass	E-CTFE + Carbon	(mod. TMB35)
Temperatures	PP+G	+60°	-5°
	E-CTFE+C	+90°	-20°

PRIMA TMP



BENEFITS & FUNCTIONALITIES

- No sealing components;
- No metallic part in contact with the liquid
- Threaded or flanged connections.

Capacity:	up to 12 m ³ /h		
Construction:	Close-coupled		
Motor powers:	kW 0,18 ÷ 1,1		
Wetted section	PP + Glass	E-CTFE + Carbon	
Temperatures	PP+G	+60°	-5°
	E-CTFE+C	+90°	-20°



ROUTE



BENEFITS & FUNCTIONALITIES

- Mag-driven for clean liquids
- Mech-sealed for dirty or abrasive liquids ;
- Threaded or flanged connections .

Capacity:	up to 50 m ³ /h	
Construction:	Close-coupled	
Motor powers:	kW 0,55 ÷ 11	
Wetted section	PP + Glass	E-CTFE + Carbon
Temperatures	PP+G +60° -5° E-CTFE+C +100° -20°	



Capacity:	up to 50 m ³ /h	
Construction:	Close-coupled	
Motor powers:	kW 0,55 ÷ 11	
Wetted section	PP + Glass	E-CTFE + Carbon
Temperatures	PP+G +60° -5° E-CTFE+C +100° -20°	



Patent video

The magnetic drive pump features the patented “bi-directional axial self-alignment system” which allows, for the “R” configuration, the dry running.

The combination of adequate materials of the driving system of the impeller with a specific magnetic field wholly eliminates all frontal frictions that are the cause of breakage when dry running. It is possible to couple standard motors without disassembling the pump.

#ISO 2858 STANDARD CENTRIFUGAL PUMPS

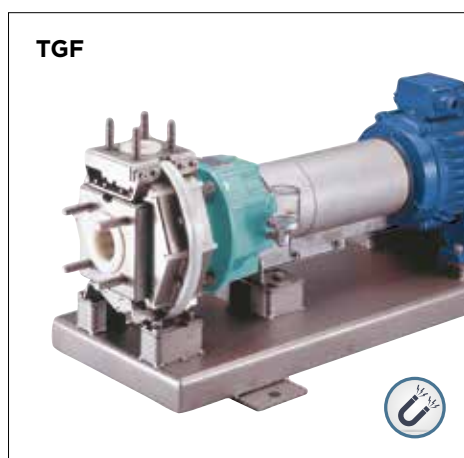
FRONTIERA



BENEFITS & FUNCTIONALITIES

- ISO 2858 standard;
- Mech-sealed or mag-driven;
- Close or long coupled;
- External armour made of AISI 316 (optional);
- Backpull-Out (long-coupled version)
- Wet-end (mag-driven versions)
- Further bearing on motor side (close-coupled version only).

4 versions are available: 2 magnetic driven (TGF - ZGF) and 2 mechanical sealed (TMF - ZMF)



Capacity: up to 90 m³/h
Construction: Close-coupled or Long-coupled
Motor powers: kW 0,55 ÷ 15

Wetted section **PP** **E-CTFE**

Temperatures

PP	+80°	-5°
E-CTFE	+100°	-20°

Capacity: up to 90 m³/h
Construction: Close-coupled or Long-coupled
Motor powers: kW 0,55 ÷ 15

Wetted section **PP** **E-CTFE**

Temperatures

PP	+80°	-5°
E-CTFE	+100°	-20°



The pump casing is made of fluoropolymer with a nerve shape of 8-10mm thickness should be covered with an AISI 316 armour. These materials ensure the maximum protection level and chemical resistance.

#ISO 2858 STANDARD CENTRIFUGAL PUMPS

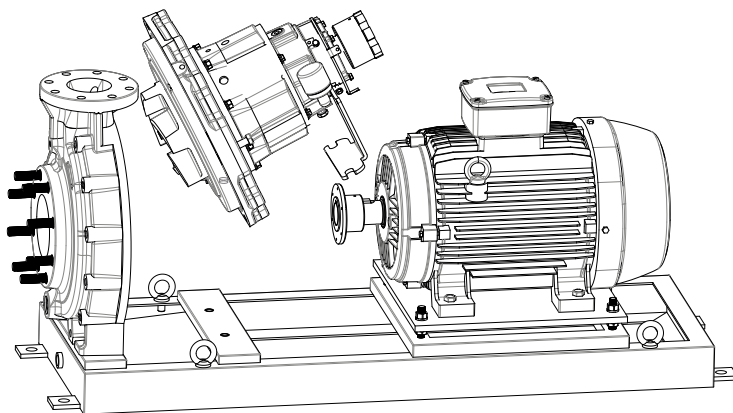
EUROPA (ZGE)



PLUS

- ISO 2858 standard;
- Solid-block construction in pure thermoplastic polymers, outside armour in cast iron;
- Backpull-Out
- High capacity.

Capacity:	up to 1.700 m ³ /h		
Construction:	Long-coupled		
Motor powers:	kW 0,5 ÷ 200		
Wetted section			
Temperatures	U-PVC	+40°	0°
	PP	+80°	-5°
	PVDF	+100°	-20°
	UPPE	+70°	-40°



Back pull-out execution

All the pumps with elastic coupling are equipped with the back pull-out system that allows the dismantling of the internal and mechanic parts of the pump without disconnecting the casing from the fittings and without moving the motor.

#ANSI/ASME B 73.1 CENTRIFUGAL PUMPS

SATURN evo



A EUROPEAN FIRST

- Entirely realised in vynilester resin (FRP);
- Abrasion and corrosion resistance ;
- Sturdy construction;
- Close or long-coupled;
- FRP Impeller carbon filled;
- Feet and flanges reinforced in Kevlar;
- High efficiency and performance;
- ATEX version available (VIX).

Saturn pumps are available in two versions: **ZGS (long-coupled)** and **ZMS (close-coupled)**.

Capacity:	up to 1.350 m ³ /h
Construction:	Long-coupled
Motor powers:	kW 1,5 ÷ 200
Wetted section	FRP
Temperatures	+115° -35°



Capacity:	up to 300 m ³ /h
Construction:	Close-coupled
Motor powers:	kW 1,5 ÷ 37
Wetted section	FRP
Temperatures	+115° -35°

VIG: the ideal solution for the major part of corrosive agents containing acids, alkalies, detergents, sea water, brine, etc.

VIA: for liquids with a low concentration of abrasion: fossil shell flour, ashes, titanium dioxide.

VIC: Perfect for resisting to bleach corrosive liquids such as sodium hypochlorite (NaOCl) or hydroxide peroxide (H₂O₂);

VIF: a specific solution made up with a synthetic veil to ensure resistance to fluoride acid (HF) and other liquids with fluorine.

VIX: a specific solution to operate into ATEX areas with conductive resin liner.

#SUMP PUMPS CENTRIFUGAL PUMPS

SATURN_{sump} (KGS)

A EUROPEAN FIRST

- Entirely realised in vynilester resin (FRP);
- High efficiency and performance;
- FRP Impeller carbon filled;
- Screws made of FRP, AISI 316L or titanium
- External flushing;
- Shaft made of AISI 316 or Duplex;
- ATEX version available.

Column length under plate up to 5 meters.



Capacity: up to 1350 m³/h
Motor powers: kW 1,5 ÷ 55

Material of submerged parts

FRP

Temperatures FRP +100° -10°



FIBERGLASS IMPELLER
WITH CARBON FIBER
BLADES CORE

STRAINER



#SELF-PRIMING PUMPS

The “vertical pumps” by **ARGAL®** boast the following important features:

- pumping liquids with a specific gravity ranging between 1 and 2 Kg/cm³ without reducing performance by installing electric motors of increased power;

- in magnetic versions, the use of E-CTFE such as fluoropolymer that offers an unparalleled chemical resistance when compared to other injection moulded polymers;
- Close-coupled pumps with standardized electric motors.

RHINO TMA



PLUS

- Reduced self-priming times;
- Biphasic impeller: for liquids with high density

- or high vapour pressure ;
- Up to 6m of self-prime.



Capacity: up to 17 m³/h
Construction: Close-coupled
Motor powers: kW 2,2 ÷ 4

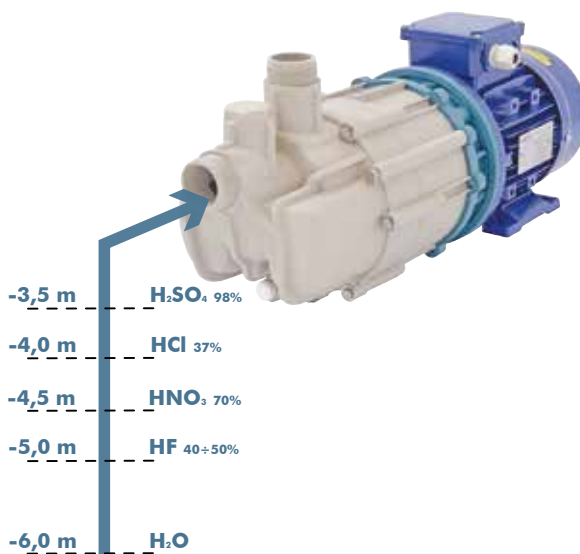
Wetted section

PP	E-CTFE
+ Glass	+ Carbon

Temperatures

PP+G	+60°	-5°
E-CTFE+C	+100°	-20°

BIPHASIC IMPELLER



#SELF-PRIMING PUMPS

ELK TMA



PLUS

- Super reduced self-priming times;
- Reversible flow direction.
- Up to 6m of self-prime.

Capacity: up to 40 l/1'
Construction: Close-coupled
Motor powers: kW 0,55 ÷ 1,1

Wetted section

PP	E-CTFE
+ Glass	+ Carbon

Temperatures	PP+G	+60°	-5°
	E-CTFE+C	+100°	-20°



HIPPO ZMA



PLUS

- Solid-block construction in pure thermoplastic polymers;
- Suitable for laden liquids with solids;
- Up to 4,5m of self-prime.



Capacity: up to 50 m³/h
Construction: Close-coupled
Motor powers: kW 0,55 ÷ 7,5

Wetted section

U-PVC	PP	PVDF
--------------	-----------	-------------

Temperatures	U-PVC	+40°	0°
	PP	+70°	-10°
	PVDF	+100°	-30°

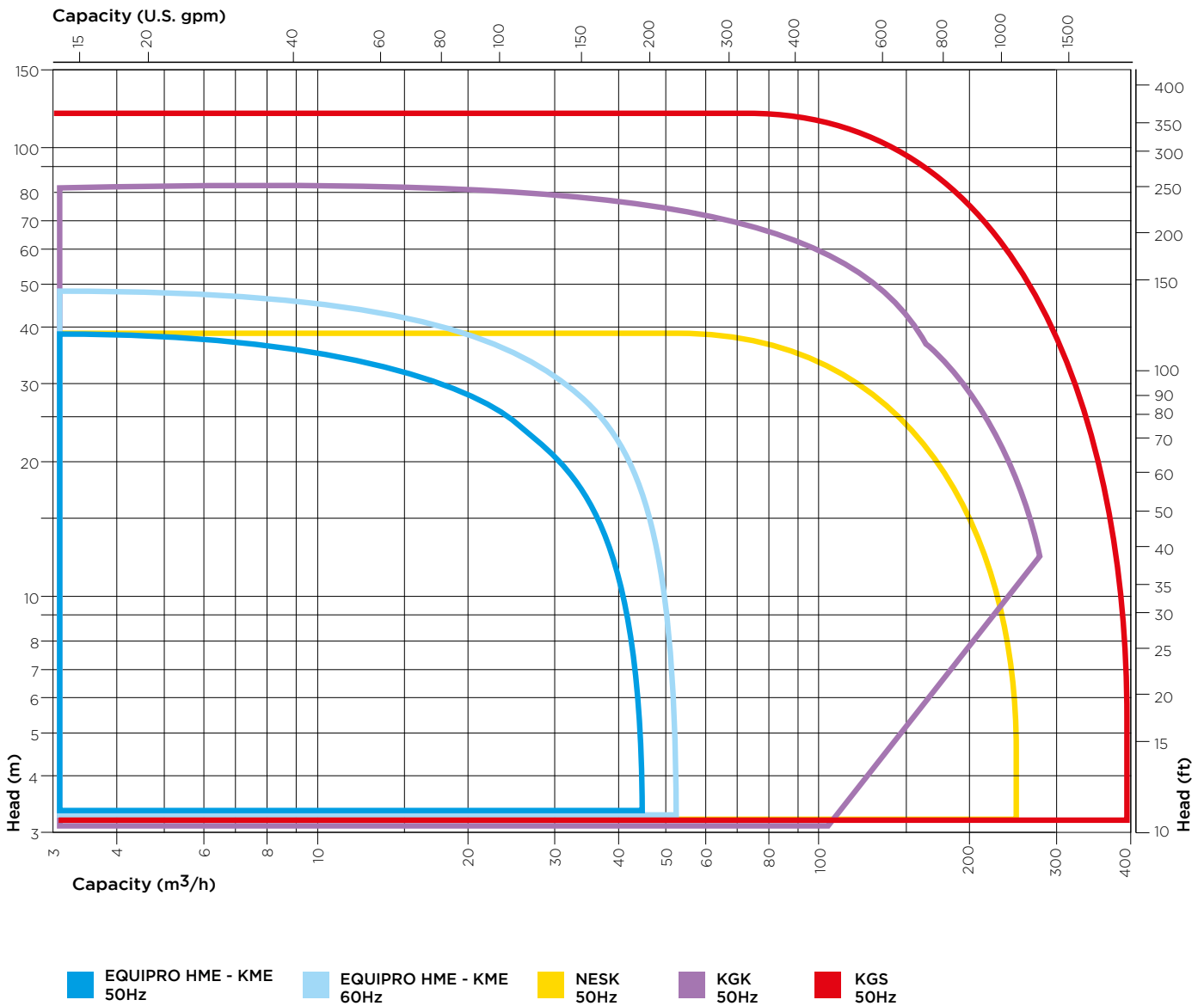
MECHANICAL SEALS



#HANDLING SUMP PUMPS

The “vertical pumps” by **ARGAL®** boast the following important features:

- Pump liquids with a specific gravity ranging between 1 and 2 kg/cm³ reducing performance by installing electric motor of adequate power rating;
- combinations of immersed bushing to guide the shaft in anti-abrasion materials;
- effective vapour sealing systems to protect mechanical parts;
- pump column reinforced with FRP (for strength and elongation containment);
- exclusive use of standardized electric motors also for monobloc constructions.
- ATEX version available.



#HANDLING SUMP PUMPS



RANGE EQUIPRO HME

- Cantilever pump ideal for laden liquids with solids;
- Column length under plate mm 275 or 450;
- Dry vapour steam seal;
- Inside or outside installation.

Capacity: up to 50 m³/h
Motor powers: kW 0,25 ÷ 7,5

Wetted section

PP	PVDF
+ Glass	+ Carbon

Temperatures

PP+G*	+60°	0°
PVDF+C*	+90°	-10°

* (to be reduced as function of column length)



RANGE EQUIPRO KME



- Guide system with SIC and CER bushing;
- The under plate column length up to 1,5 meters;
- Dry vapour steam seal;
- Easy assembling and IEC motor alligment.



Capacity: up to 50 m³/h
Motor powers: kW 0,55 ÷ 11

Wetted section

PP	PVDF
+ Glass	+ Carbon

Temperatures

PP+G*	+60°	0°
PVDF+C*	+90°	-10°

* (to be reduced as function of column length)

#SUMP PUMPS CENTRIFUGAL

K2 RANGE KGK



- No metal parts in contact with the fluid (screw included);
- CER and SIC guide system with external flushing;
- Pumping laden media with solids;

- The under plate column length up to 4 meters.
- FRP column to handling thermal dilatation;
- Sump column up to 4m;
- Semi-axial impeller (G3 size);
- Single or double stage.

ATEX VERSION AVAILABLE.



Capacity: up to 275 m³/h
Motor powers: kW 0,55 ÷ 45

Wetted section

PP
+ Glass

PVDF
+ Carbon

Material of submerged parts

PP

PP + FRP

PVDF

PVDF + FRP

Temperatures

PP+G +60° 0°
(to be reduced as function of column length)

PP+FRP +70° 0°

PVDF+C +90° -10°
(to be reduced as function of column length)

PVDF+FRP +90° -10°

#SATURN INSTALLATIONS



CHINA, Aquatic Park - Supplying tank with sea water



USA, Chemical plant -
Caustic soda transfer



KUWAIT, Desalination plant
Intake Pump. The very first Saturn



CHINA, Aquatic Park - Supplying tank with sea water



ITALY, Desalination plant



THAILAND, Electrochlorination plant
Hypochlorite and seawater dosing pumps

ARGAL AIR

**AIR-METERING &
AODD PUMPS
PULSATION
DAMPENERS**

**VERTICAL SUMP
PUMPS**

**MAG-DRIVE &
MECH-SEALED
CENTRIFUGAL
PUMPS**



**SUBMERSIBLE
PUMPS**

**SELF-PRIMING
PUMPS**

ARGAL srl

Via Labirinto, 159 - 25125 BRESCIA - (Italy)
Phone +39 030 3507011 - fax +39 030 3507077
info@argal.it - www.argalpumps.com



cod. 01-18 • EN